

© 2020 Fleetwood Urban Pty Ltd.
No part of this sheet may be copied, reproduced, scanned or stored, whether in whole or part, in any form or by any means. Fleetwood Urban will not hesitate to take appropriate legal action if its rights in this respect are infringed.

Confidential Property.
Loaned to you subject to the following conditions. Must not be copied, reproduced, made available or shown to any other 3rd party without express permission. To be returned upon request.

Images and drawings are for concept purposes only. Changes to structure may occur during detail design. All lighting, shadows and materials are simulated.

DRAWN BY TS ISSUE 21/08/2020

CLIENT

SUBURBAN LAND AGENCY



ARCHITECT

REDBOX DESIGN GROUP

redbox
design group

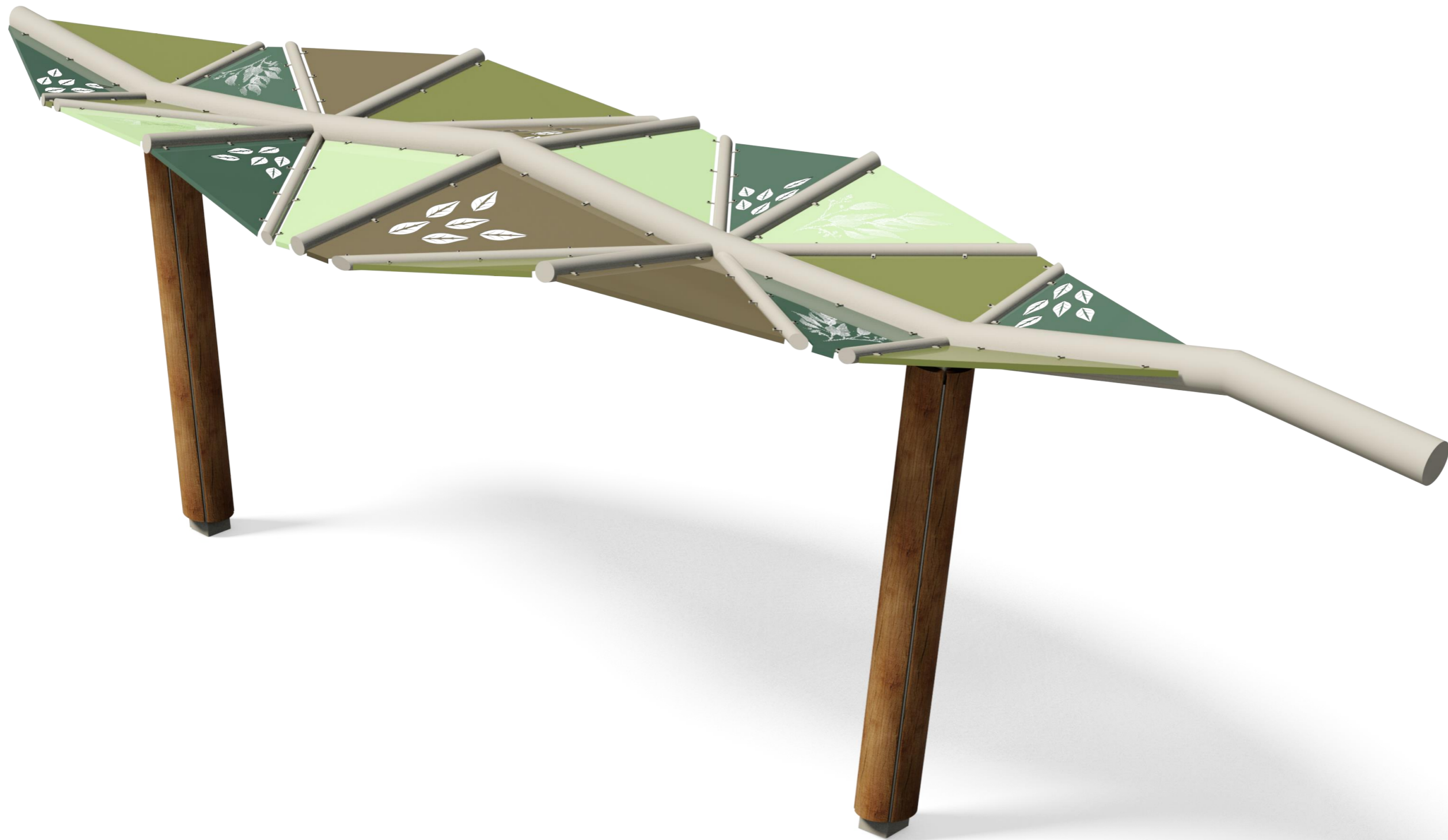
PROJECT

Coombs Shelters

PRODUCT

EUCALYPTUS LEAF SHELTER - 12m

Documentation
Readiness 75%



© 2020 Fleetwood Urban Pty Ltd.
No part of this sheet may be copied, reproduced, scanned or stored, whether in whole or part, in any form or by any means. Fleetwood Urban will not hesitate to take appropriate legal action if its rights in this respect are infringed.

Confidential Property.
Loaned to you subject to the following conditions. Must not be copied, reproduced, made available or shown to any other 3rd party without express permission. To be returned upon request.

Images and drawings are for concept purposes only. Changes to structure may occur during detail design. All lighting, shadows and materials are simulated.

DRAWN BY TS ISSUE 21/08/2020

CLIENT

SUBURBAN LAND AGENCY



ARCHITECT

REDBOX DESIGN GROUP

redbox
design group

PROJECT

Coombs Shelters

PRODUCT

EUCALYPTUS LEAF SHELTER - 12m

Documentation
Readiness 75%





© 2020 Fleetwood Urban Pty Ltd.
No part of this sheet may be copied, reproduced, scanned or stored, whether in whole or part, in any form or by any means. Fleetwood Urban will not hesitate to take appropriate legal action if its rights in this respect are infringed.

Confidential Property.
Loaned to you subject to the following conditions. Must not be copied, reproduced, made available or shown to any other 3rd party without express permission. To be returned upon request.

Images and drawings are for concept purposes only. Changes to structure may occur during detail design. All lighting, shadows and materials are simulated.

DRAWN BY TS ISSUE 21/08/2020

CLIENT

SUBURBAN LAND AGENCY



ARCHITECT

REDBOX DESIGN GROUP

redbox
design group

PROJECT

Coombs Shelters

PRODUCT

EUCALYPTUS LEAF SHELTER - 12m

Documentation
Readiness 75%



© 2020 Fleetwood Urban Pty Ltd.
No part of this sheet may be copied, reproduced, scanned or stored, whether in whole or part, in any form or by any means. Fleetwood Urban will not hesitate to take appropriate legal action if its rights in this respect are infringed.

Confidential Property.
Loaned to you subject to the following conditions. Must not be copied, reproduced, made available or shown to any other 3rd party without express permission. To be returned upon request.

Images and drawings are for concept purposes only. Changes to structure may occur during detail design. All lighting, shadows and materials are simulated.

DRAWN BY TS ISSUE 21/08/2020

CLIENT

SUBURBAN LAND
AGENCY



ARCHITECT

REDBOX DESIGN
GROUP

redbox
design group

PROJECT

Coombs Shelters

PRODUCT

EUCALYPTUS LEAF
SHELTER - 12m

Documentation
Readiness 75%

© 2020 Fleetwood Urban Pty Ltd.
No part of this sheet may be copied, reproduced, scanned or stored, whether in whole or part, in any form or by any means. Fleetwood Urban will not hesitate to take appropriate legal action if its rights in this respect are infringed.

Confidential Property.
Loaned to you subject to the following conditions. Must not be copied, reproduced, made available or shown to any other 3rd party without express permission. To be returned upon request.

Images and drawings are for concept purposes only. Changes to structure may occur during detail design. All lighting, shadows and materials are simulated.

DRAWN BY TS ISSUE 21/08/2020

CLIENT

SUBURBAN LAND AGENCY



ARCHITECT

REDBOX DESIGN GROUP

redbox
design group

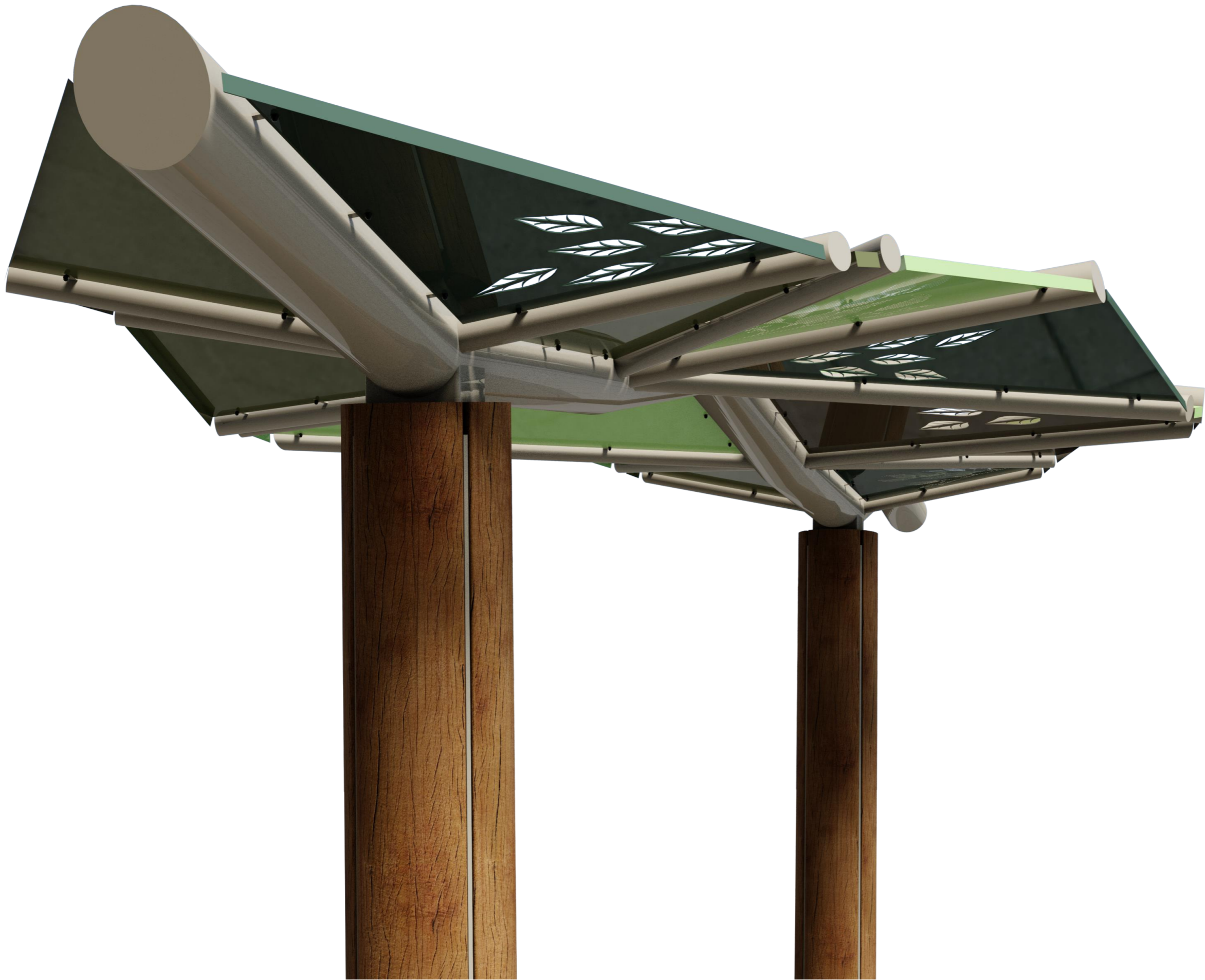
PROJECT

Coombs Shelters

PRODUCT

EUCALYPTUS LEAF SHELTER - 12m

Documentation
Readiness 75%



© 2020 Fleetwood Urban Pty Ltd. No part of this sheet may be copied, reproduced, scanned or stored, whether in whole or part, in any form or by any means. Fleetwood Urban will not hesitate to take appropriate legal action if its rights in this respect are infringed.

Confidential Property. Loaned to you subject to the following conditions. Must not be copied, reproduced, made available or shown to any other 3rd party without express permission. To be returned upon request.

Images and drawings are for concept purposes only. Changes to structure may occur during detail design. All lighting, shadows and materials are simulated.

DRAWN BY TS ISSUE 21/08/2020

CLIENT
SUBURBAN LAND AGENCY



ARCHITECT
REDBOX DESIGN GROUP

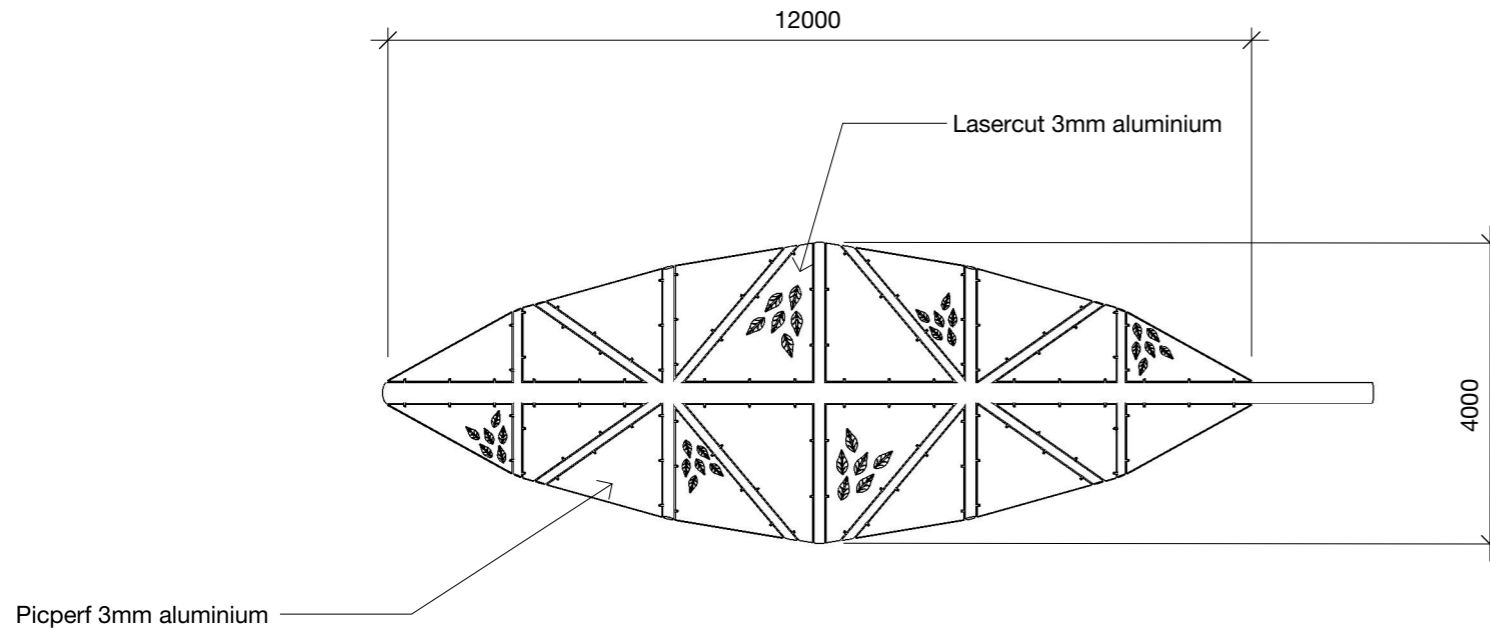


PROJECT
Coombs Shelters

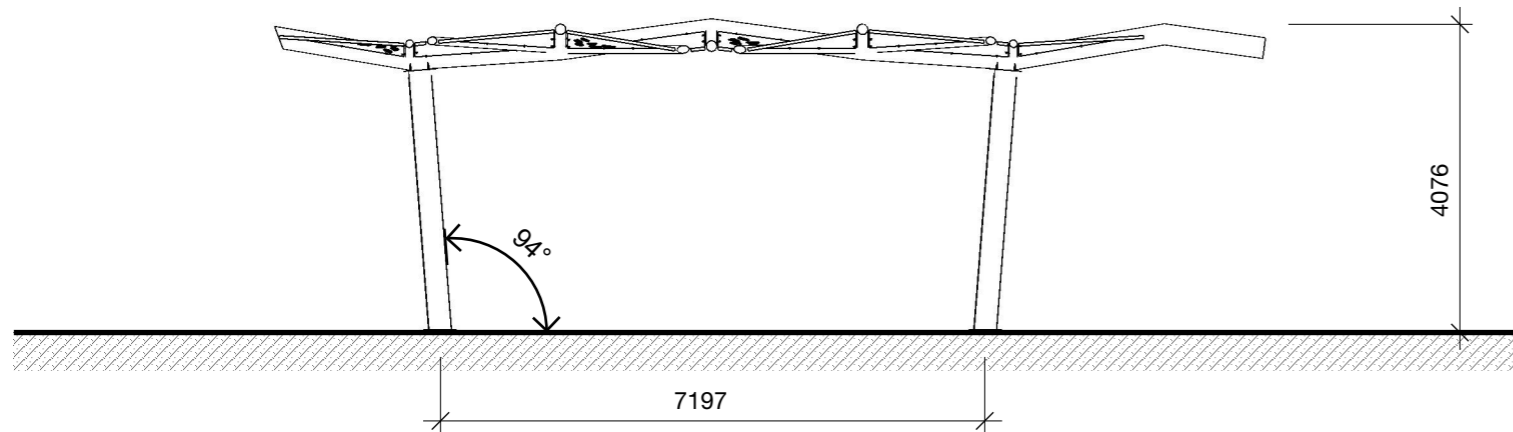
PRODUCT
EUCALYPTUS LEAF SHELTER - 12m

Documentation Readiness 75%

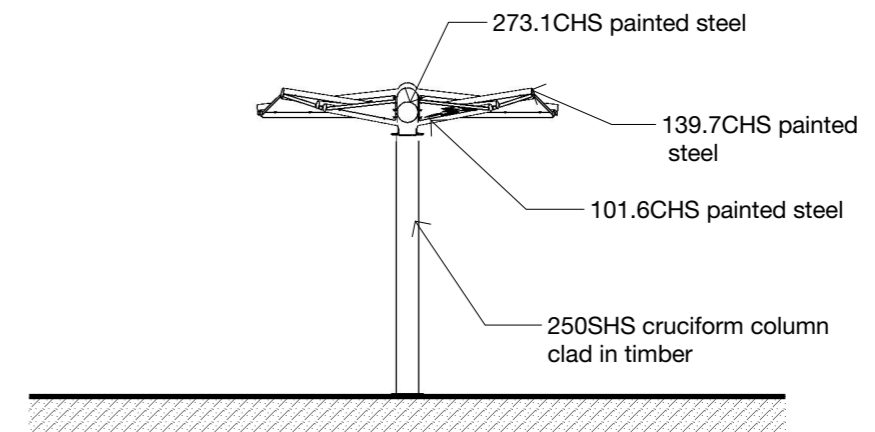
Colour scheme is indicative. Actual colours to be determined by available powdercoat colours.



A PLAN
scale: 1:100



B FRONT VIEW
scale: 1:100



C SIDE VIEW
scale: 1:100

© 2020 Fleetwood Urban Pty Ltd.
No part of this sheet may be copied, reproduced, scanned or stored, whether in whole or part, in any form or by any means. Fleetwood Urban will not hesitate to take appropriate legal action if its rights in this respect are infringed.

Confidential Property.
Loaned to you subject to the following conditions. Must not be copied, reproduced, made available or shown to any other 3rd party without express permission. To be returned upon request.

Images and drawings are for concept purposes only. Changes to structure may occur during detail design. All lighting, shadows and materials are simulated.

DRAWN BY TS ISSUE 21/08/2020

CLIENT

SUBURBAN LAND
AGENCY



ARCHITECT

REDBOX DESIGN
GROUP

redbox
design group

PROJECT

Coombs Shelters

PRODUCT

EUCAYPTUS LEAF
SHELTER - 6m

Documentation
Readiness 75%



© 2020 Fleetwood Urban Pty Ltd.
No part of this sheet may be copied, reproduced, scanned or stored, whether in whole or part, in any form or by any means. Fleetwood Urban will not hesitate to take appropriate legal action if its rights in this respect are infringed.

Confidential Property.
Loaned to you subject to the following conditions. Must not be copied, reproduced, made available or shown to any other 3rd party without express permission. To be returned upon request.

Images and drawings are for concept purposes only. Changes to structure may occur during detail design. All lighting, shadows and materials are simulated.

DRAWN BY TS ISSUE 21/08/2020

CLIENT

SUBURBAN LAND
AGENCY



ARCHITECT

REDBOX DESIGN
GROUP

redbox
design group

PROJECT

Coombs Shelters

PRODUCT

EUCAYPTUS LEAF
SHELTER - 6m

Documentation
Readiness 75%





© 2020 Fleetwood Urban Pty Ltd.
No part of this sheet may be copied, reproduced, scanned or stored, whether in whole or part, in any form or by any means. Fleetwood Urban will not hesitate to take appropriate legal action if its rights in this respect are infringed.

Confidential Property.
Loaned to you subject to the following conditions. Must not be copied, reproduced, made available or shown to any other 3rd party without express permission. To be returned upon request.

Images and drawings are for concept purposes only. Changes to structure may occur during detail design. All lighting, shadows and materials are simulated.

DRAWN BY TS ISSUE 21/08/2020

CLIENT

SUBURBAN LAND
AGENCY



ARCHITECT

REDBOX DESIGN
GROUP

redbox
design group

PROJECT

Coombs Shelters

PRODUCT

EUCAYPTUS LEAF
SHELTER - 6m

Documentation
Readiness 75%



© 2020 Fleetwood Urban Pty Ltd.
No part of this sheet may be copied, reproduced, scanned or stored, whether in whole or part, in any form or by any means. Fleetwood Urban will not hesitate to take appropriate legal action if its rights in this respect are infringed.

Confidential Property.
Loaned to you subject to the following conditions. Must not be copied, reproduced, made available or shown to any other 3rd party without express permission. To be returned upon request.

Images and drawings are for concept purposes only. Changes to structure may occur during detail design. All lighting, shadows and materials are simulated.

DRAWN BY TS ISSUE 21/08/2020

CLIENT

SUBURBAN LAND AGENCY



ARCHITECT

REDBOX DESIGN GROUP

redbox
design group

PROJECT

Coombs Shelters

PRODUCT

EUCAYPTUS LEAF SHELTER - 6m

Documentation
Readiness 75%

© 2020 Fleetwood Urban Pty Ltd.
No part of this sheet may be copied, reproduced, scanned or stored, whether in whole or part, in any form or by any means. Fleetwood Urban will not hesitate to take appropriate legal action if its rights in this respect are infringed.

Confidential Property. Loaned to you subject to the following conditions. Must not be copied, reproduced, made available or shown to any other 3rd party without express permission. To be returned upon request.

Images and drawings are for concept purposes only. Changes to structure may occur during detail design. All lighting, shadows and materials are simulated.

DRAWN BY TS ISSUE 21/08/2020

CLIENT
SUBURBAN LAND AGENCY



ARCHITECT
REDBOX DESIGN GROUP

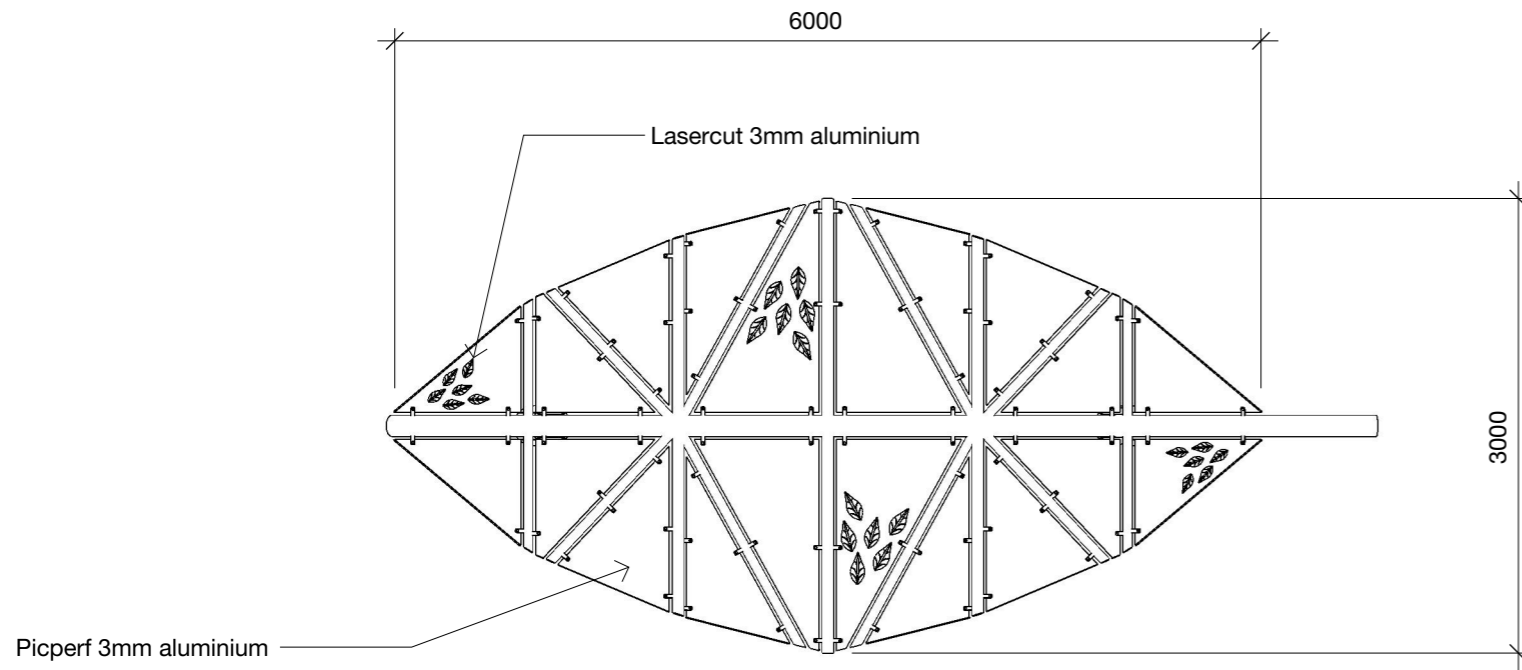


PROJECT
Coombs Shelters

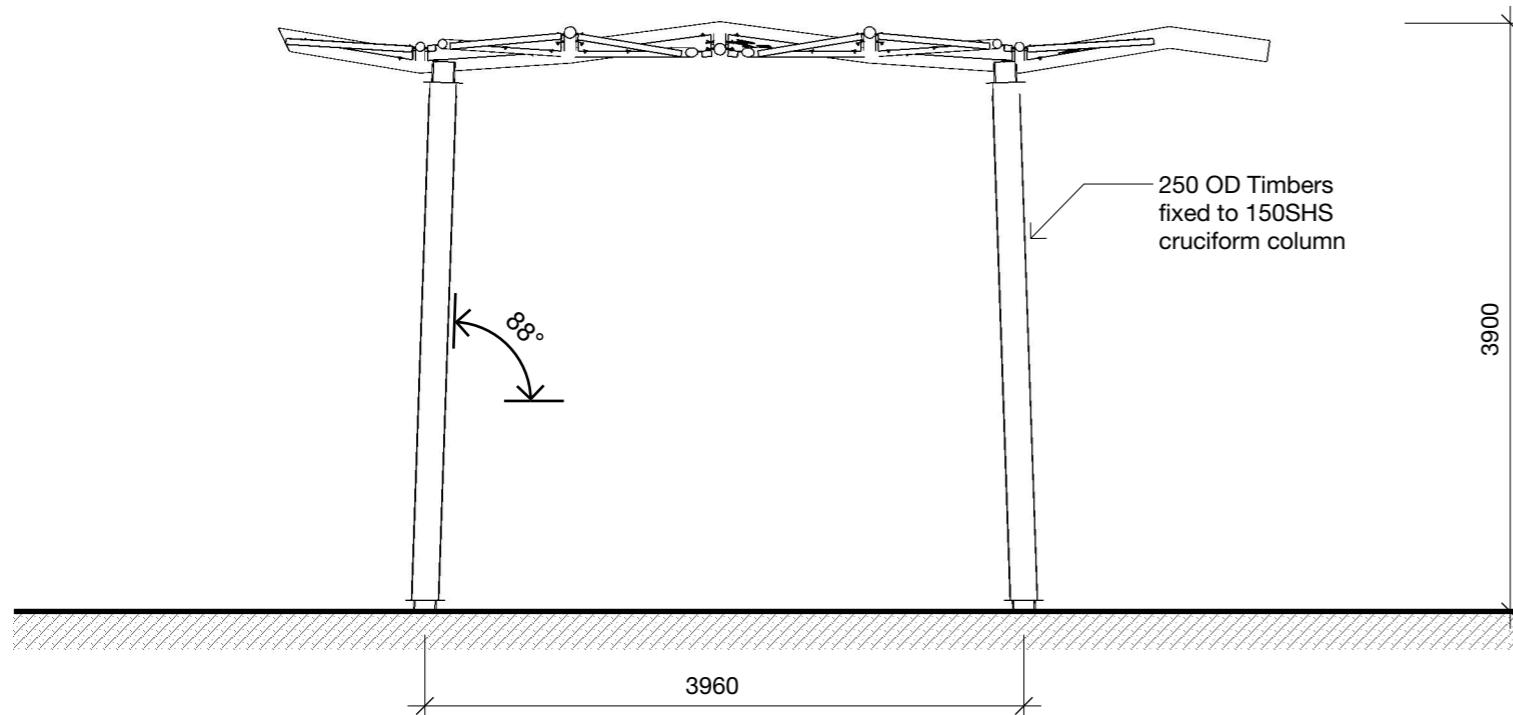
PRODUCT
EUCALYPTUS LEAF SHELTER - 6m

Documentation Readiness 75%

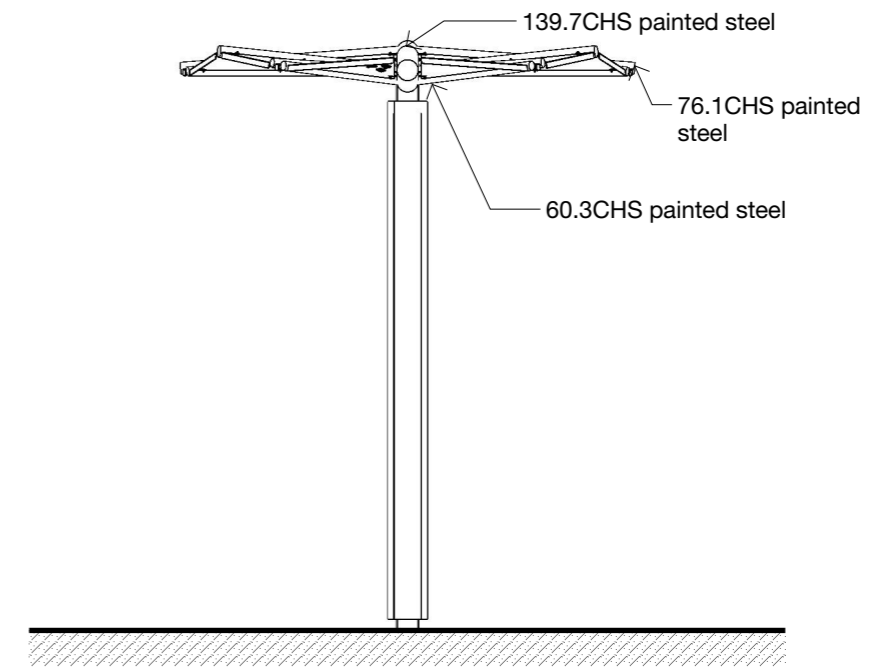
Colour scheme is indicative. Actual colours to be determined by available powdercoat colours.



A PLAN
scale: 1:50



B FRONT VIEW
scale: 1:50



C SIDE VIEW
scale: 1:50

© 2020 Fleetwood Urban Pty Ltd.
No part of this sheet may be copied, reproduced, scanned or stored, whether in whole or part, in any form or by any means. Fleetwood Urban will not hesitate to take appropriate legal action if its rights in this respect are infringed.

Confidential Property.
Loaned to you subject to the following conditions. Must not be copied, reproduced, made available or shown to any other 3rd party without express permission. To be returned upon request.

Images and drawings are for concept purposes only. Changes to structure may occur during detail design. All lighting, shadows and materials are simulated.

DRAWN BY TS ISSUE 21/08/2020

CLIENT

SUBURBAN LAND AGENCY



ARCHITECT

REDBOX DESIGN GROUP

redbox
design group

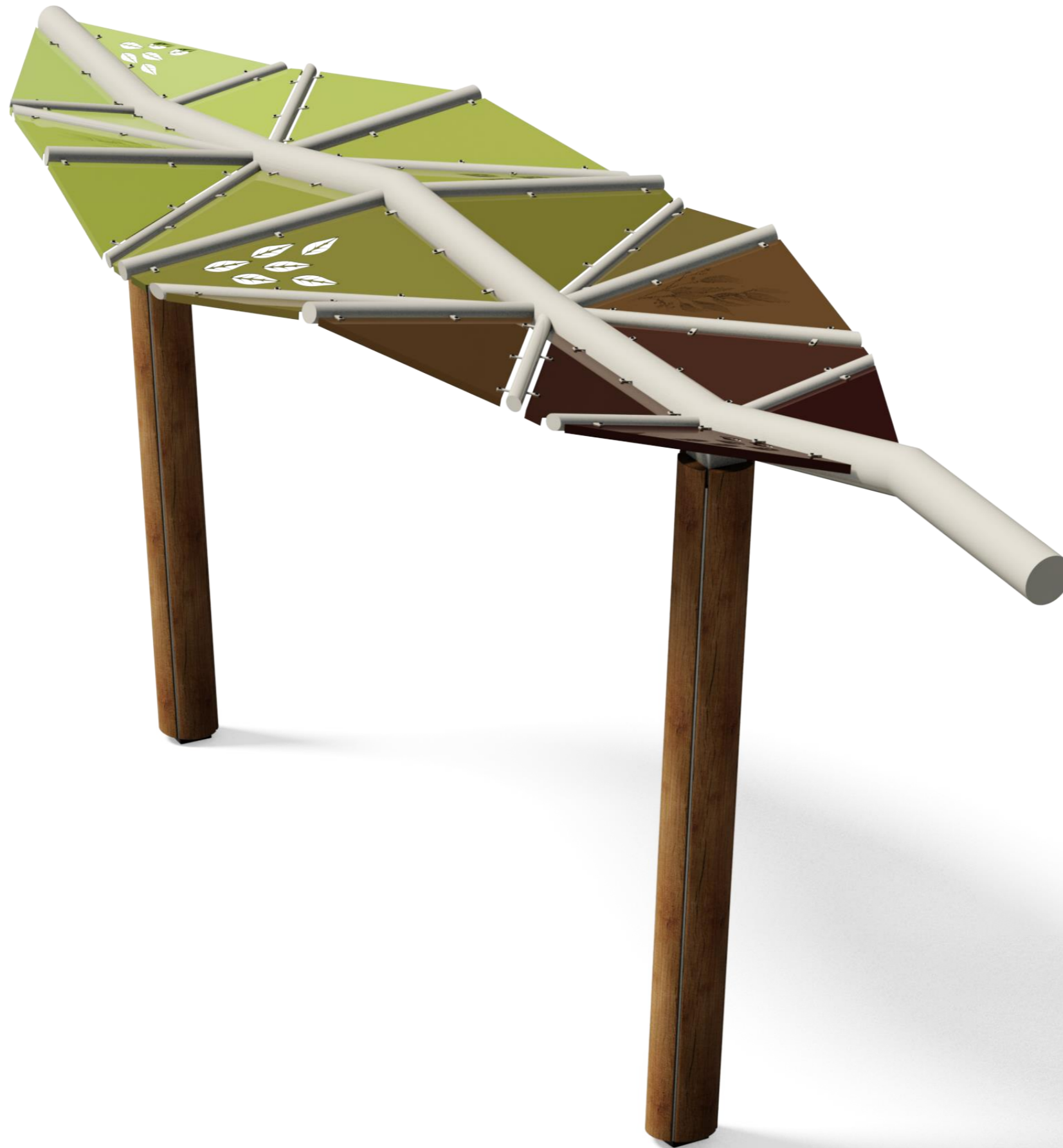
PROJECT

Coombs Shelters

PRODUCT

EUCALYPTUS LEAF SHELTER - 9m

Documentation
Readiness 75%



© 2020 Fleetwood Urban Pty Ltd.
No part of this sheet may be copied, reproduced, scanned or stored, whether in whole or part, in any form or by any means. Fleetwood Urban will not hesitate to take appropriate legal action if its rights in this respect are infringed.

Confidential Property.
Loaned to you subject to the following conditions. Must not be copied, reproduced, made available or shown to any other 3rd party without express permission. To be returned upon request.

Images and drawings are for concept purposes only. Changes to structure may occur during detail design. All lighting, shadows and materials are simulated.

DRAWN BY TS ISSUE 21/08/2020

CLIENT

SUBURBAN LAND
AGENCY



ARCHITECT

REDBOX DESIGN
GROUP

redbox
design group

PROJECT

Coombs Shelters

PRODUCT

EUCALYPTUS LEAF
SHELTER - 9m

Documentation
Readiness 75%



© 2020 Fleetwood Urban Pty Ltd.
No part of this sheet may be copied, reproduced, scanned or stored, whether in whole or part, in any form or by any means. Fleetwood Urban will not hesitate to take appropriate legal action if its rights in this respect are infringed.

Confidential Property.
Loaned to you subject to the following conditions. Must not be copied, reproduced, made available or shown to any other 3rd party without express permission. To be returned upon request.

Images and drawings are for concept purposes only. Changes to structure may occur during detail design. All lighting, shadows and materials are simulated.

DRAWN BY TS ISSUE 21/08/2020

CLIENT

SUBURBAN LAND AGENCY



ARCHITECT

REDBOX DESIGN GROUP

redbox
design group

PROJECT

Coombs Shelters

PRODUCT

EUCALYPTUS LEAF SHELTER - 9m

Documentation
Readiness 75%



© 2020 Fleetwood Urban Pty Ltd.
No part of this sheet may be copied, reproduced, scanned or stored, whether in whole or part, in any form or by any means. Fleetwood Urban will not hesitate to take appropriate legal action if its rights in this respect are infringed.

Confidential Property.
Loaned to you subject to the following conditions. Must not be copied, reproduced, made available or shown to any other 3rd party without express permission. To be returned upon request.

Images and drawings are for concept purposes only. Changes to structure may occur during detail design. All lighting, shadows and materials are simulated.

DRAWN BY TS ISSUE 21/08/2020

CLIENT

SUBURBAN LAND
AGENCY



ARCHITECT

REDBOX DESIGN
GROUP

redbox
design group

PROJECT

Coombs Shelters

PRODUCT

EUCALYPTUS LEAF
SHELTER - 9m

Documentation
Readiness 75%



© 2020 Fleetwood Urban Pty Ltd. No part of this sheet may be copied, reproduced, scanned or stored, whether in whole or part, in any form or by any means. Fleetwood Urban will not hesitate to take appropriate legal action if its rights in this respect are infringed.

Confidential Property. Loaned to you subject to the following conditions. Must not be copied, reproduced, made available or shown to any other 3rd party without express permission. To be returned upon request.

Images and drawings are for concept purposes only. Changes to structure may occur during detail design. All lighting, shadows and materials are simulated.

DRAWN BY TS ISSUE 21/08/2020

CLIENT
SUBURBAN LAND AGENCY

ACT Government | **Suburban Land Agency**

ARCHITECT
REDBOX DESIGN GROUP

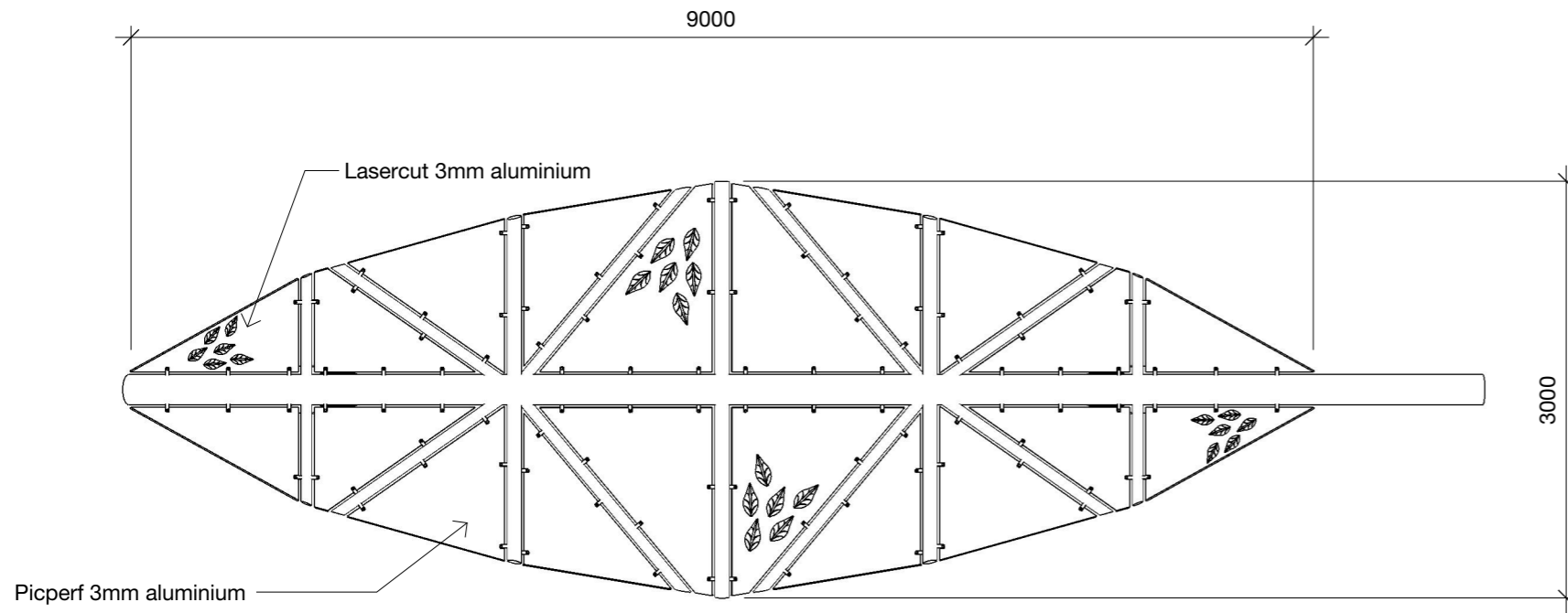
redbox design group

PROJECT
Coombs Shelters

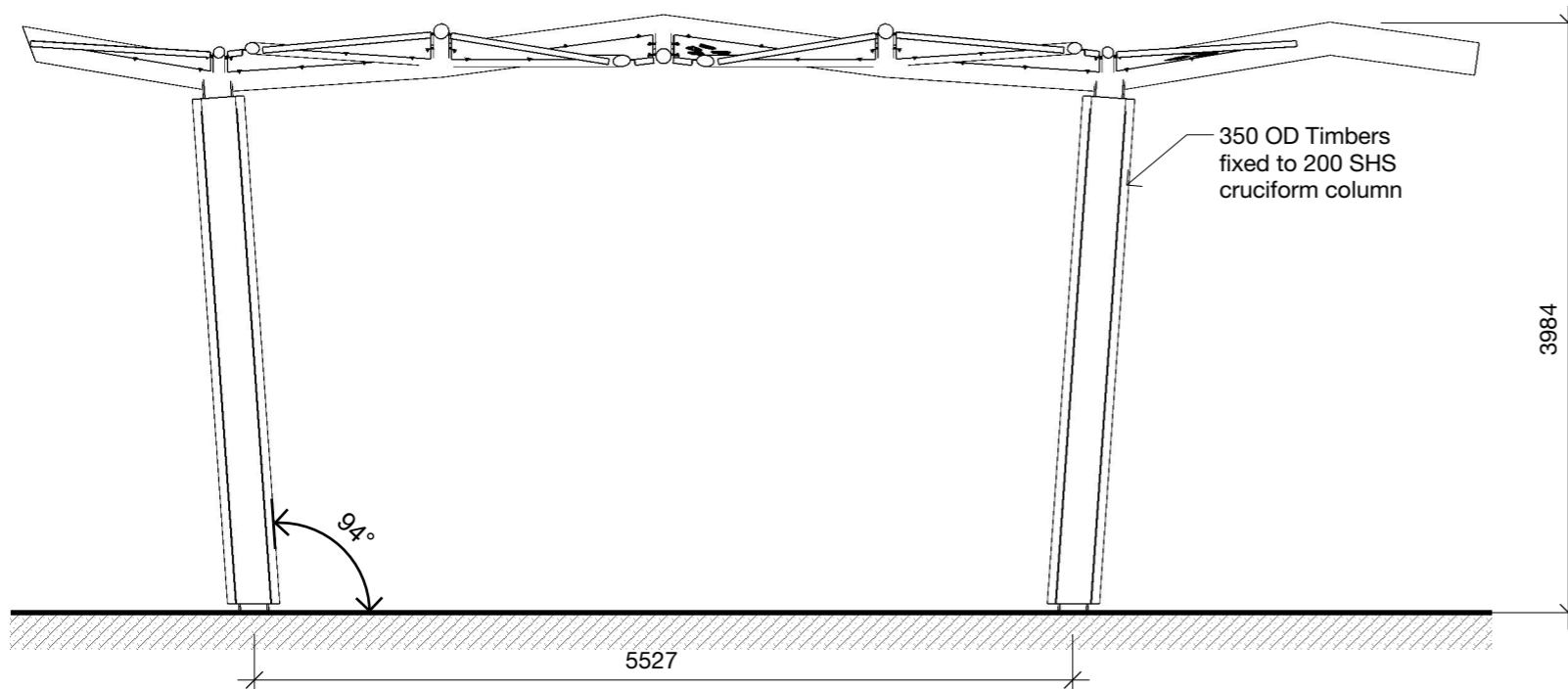
PRODUCT
EUCALYPTUS LEAF SHELTER - 9m

Documentation Readiness 75%

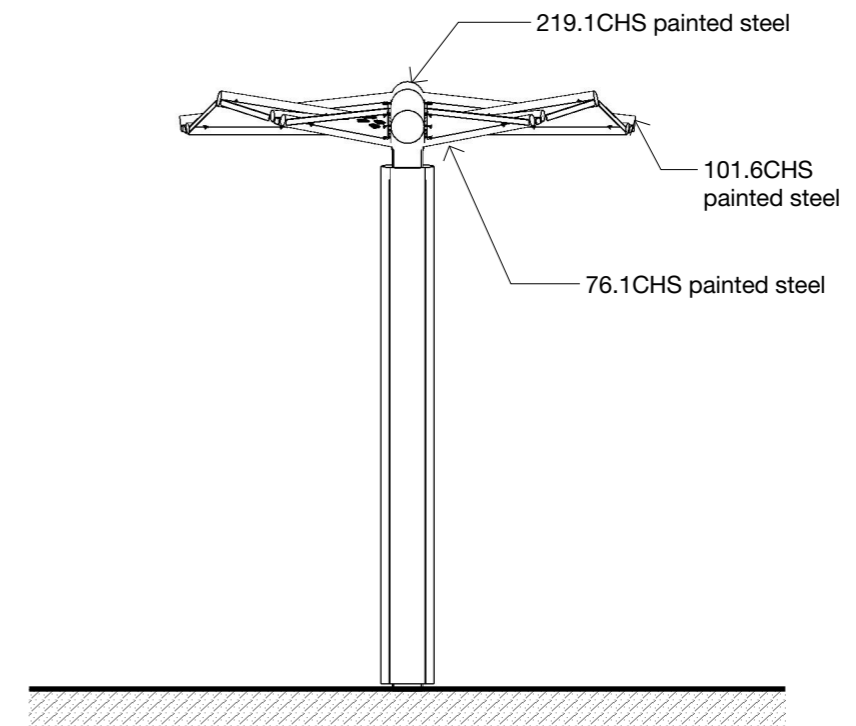
Colour scheme is indicative. Actual colours to be determined by available powdercoat colours.



A PLAN
scale: 1:50



B FRONT VIEW
scale: 1:50



C SIDE VIEW
scale: 1:50